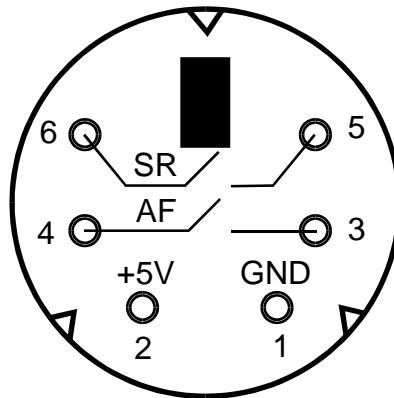


## RODEON modular: Camera Connector

Mini-DIN (6 pin)



Solder View  
(View on RODEON)

AF = Autofocus (halfway release)  
SR = Shutter Releas  
+5V = Voltage 5V 100mA<sup>)</sup>  
GND = Signal Ground<sup>)</sup>

<sup>)</sup> for external supply only -  
not for standard camera release